

OFFER GÜNTER GROSSMANN
TELESCOPIC LOADER TELEHANDLER
GG613-1



TELEHANDLER GG613-1



Ask of price

Telehandler / Telescopic Loader GG613-1

Be proud of your work with Günter Grossmann



SPECIFICATION

Type	Unit	Data
Maximum Load Capacity	kg	1200
Operating Weight	kg	2900
Engine		Yanmar 3TNV86CT
Number of Cylinders		3
Displacement	L	1.6
Engine Type		Water-cooled, turbocharged, four-stroke
Rated Power / Speed		32.4 kW / 45 HP at 3000 rpm
Drive Type		Hydrostatic driveshaft
Axle		Planetary drive on the steering axle
Hydraulic System		PWG
Working Pump Type		Gear pump
Pump Flow Rate	L	54
Pressure	Bar	225
Fuel Tank	L	36
Hydraulic Oil Tank	L	36

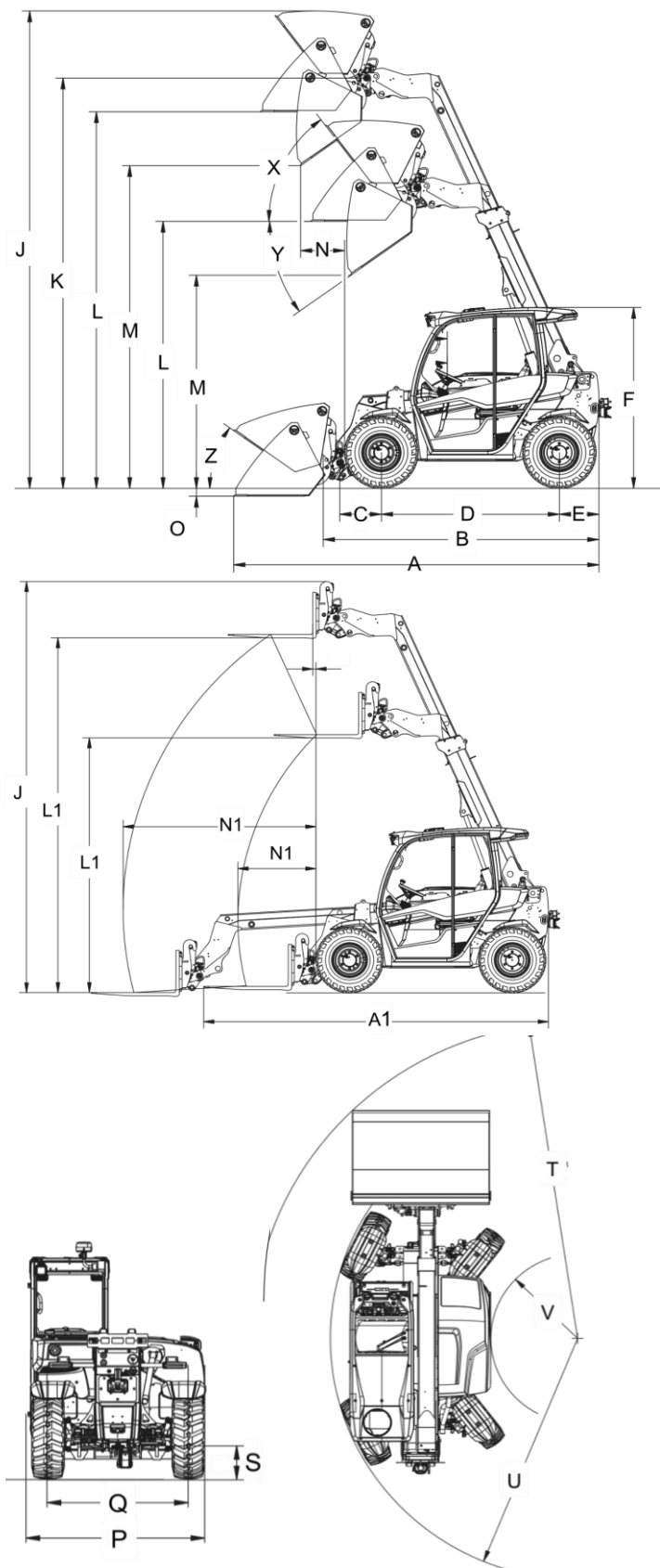
SCOPE OF WORK

Type	Unit	Data
Bucket Capacity	m ³	0.5
First Gear Speed	km/h	0-8
Second Gear Speed	km/h	0-20
Tires		10.0/75 - 15.3

DIMENSIONS

Type	Unit	Data
Overall Length (with standard bucket)	mm	3944
Overall Length (with pallet forks)	mm	4081
Overall Length (without standard bucket)	mm	2977
Bucket Pivot Point (to axle center)	mm	450
Wheelbase	mm	1922
Rear Overhang	mm	427
Height with Cab	mm	1995
Overall Working Height (with standard bucket)	mm	5280
Overall Working Height (with pallet forks)	mm	4981
Maximum Blade Pivot Height	mm	4537
Loading Height (with standard bucket)	mm	4163/2949
Loading Height (with pallet forks)	mm	4301/3087
Working Distance	mm	476
Maximum Reach at Loading Height	mm	2289/932
Digging Depth	mm	96
Overall Width	mm	1564
Tire Width	mm	1245
Ground Clearance	mm	294
Maximum Outer Turning Radius (depending on bucket width)	mm	3550
Outer Edge Radius	mm	2695
Inner Radius	mm	951
Tilt Angle at Maximum Lifting Height	°	52
Dump Angle at Maximum Lifting Height	°	31
Tilt Angle at Ground Level	°	44
Oscillation Angle	°	7

Diagram GG613-1



Data	Letters	
Overall length (with standard bucket)	A	3944 mm
Overall length (with pallet forks)	A1	4081 mm
Overall length (without standard bucket)	B	2977 mm
Bucket pivot point (to axle center)	C	450 mm
Wheelbase	D	1922 mm
Rear overhang	E	427 mm
Height with cab	F	1995 mm
Overall working height (with standard bucket)	J	5280 mm
Overall working height (with pallet forks)	J1	4981 mm
Maximum pivot point height of blade	K	4537 mm
Loading height (with standard bucket)	L	4163/2949 mm
Loading height (with pallet forks)	L1	4301/3087 mm
Dumping height	M	3566/2352 mm
Working reach	N	476 mm
Maximum reach at loading height	N1	2289/932 mm
Digging depth / Cutting depth	O	96 mm
Overall width	P	1564 mm
Tire width	Q	1245 mm
Ground clearance	S	294 mm
Maximum outside turning radius (depending on bucket width)	T	3550 mm
Radius at outer edge	U	2695 mm
Inner radius	V	951 mm
Tilt angle at maximum lift height	X	52°
Dump angle at maximum lift height	Y	31°
Tilt angle at ground	Z	44°